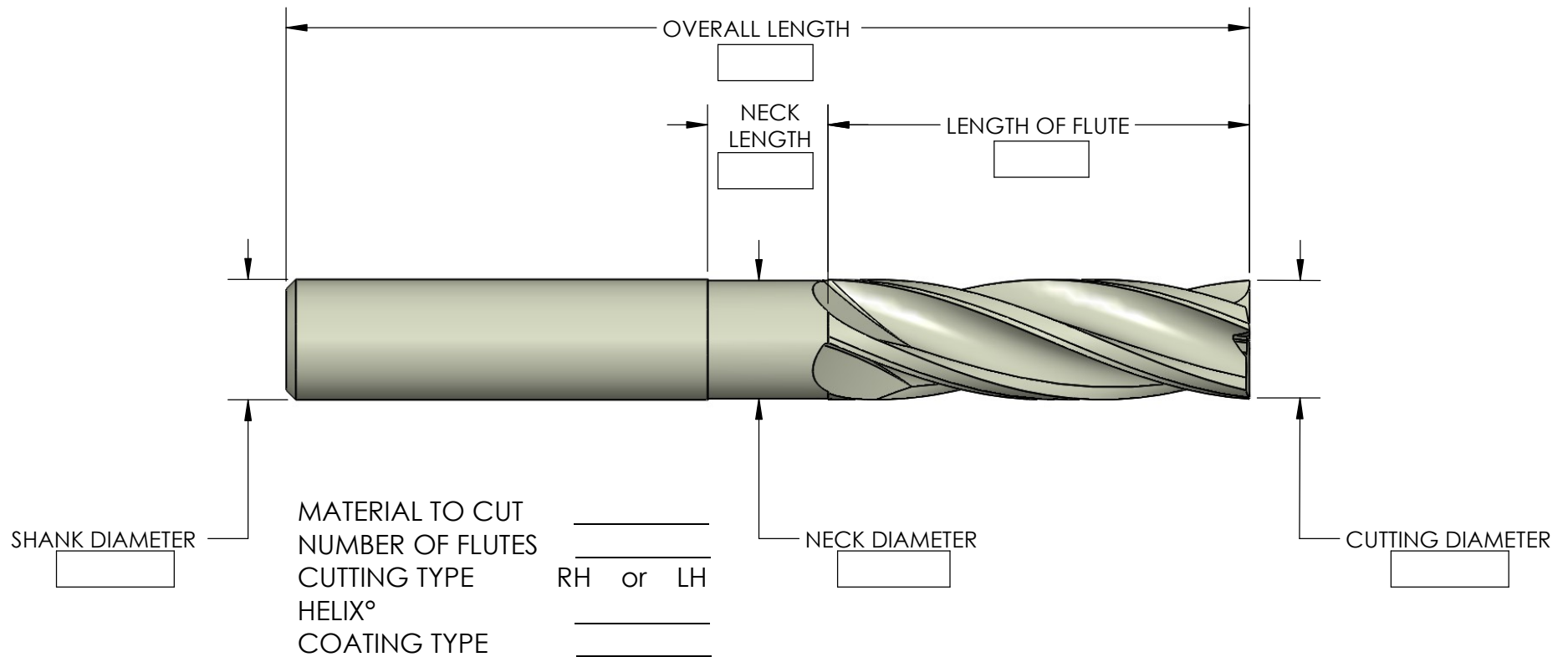


SQUARE ENDMILL



Please fill out ALL of the above information to help us provide you with an accurate quote!

Quote sheets can be submitted via fax or email.

Fax: 937-312-9798 Email: scott@5axisgrinding.com

Additional comments: _____



GRINDING, INC.

86 WESTPARK ROAD DAYTON, OH 45459